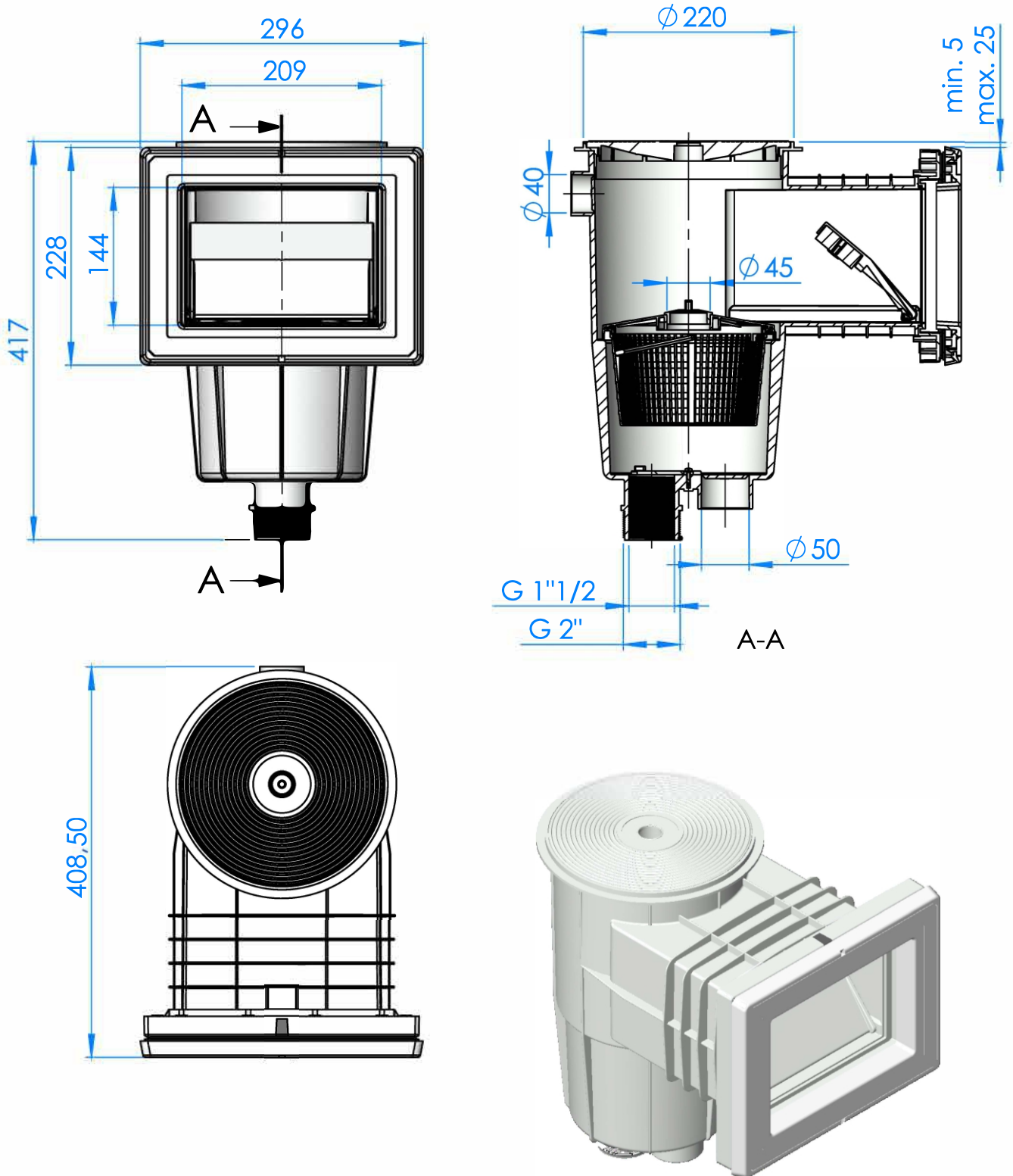


CODE: **01461**
DESCRIPTION: **SKIMMER 15L PP B.STD T.CIRC.
SKIMMER ABS (LINER) W/CIRC.LID**



Note: Units in mm