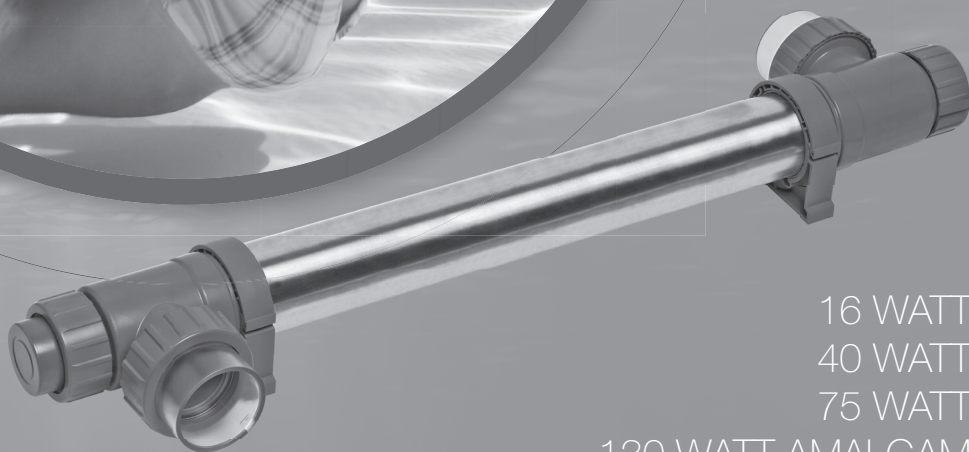




UV-C TECH

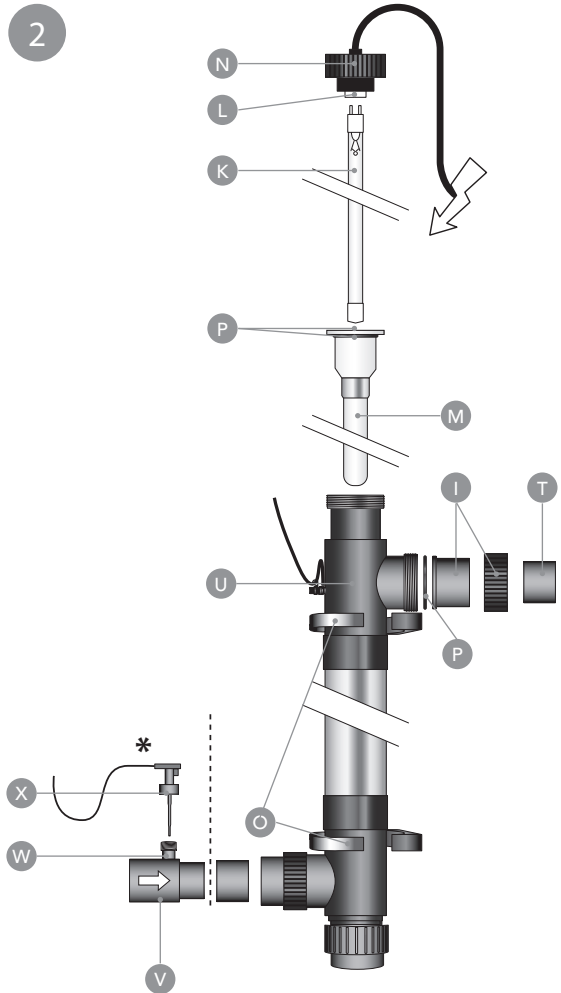
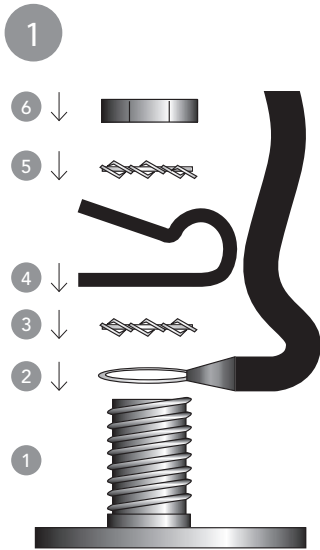


16 WATT
40 WATT
75 WATT
130 WATT AMALGAM

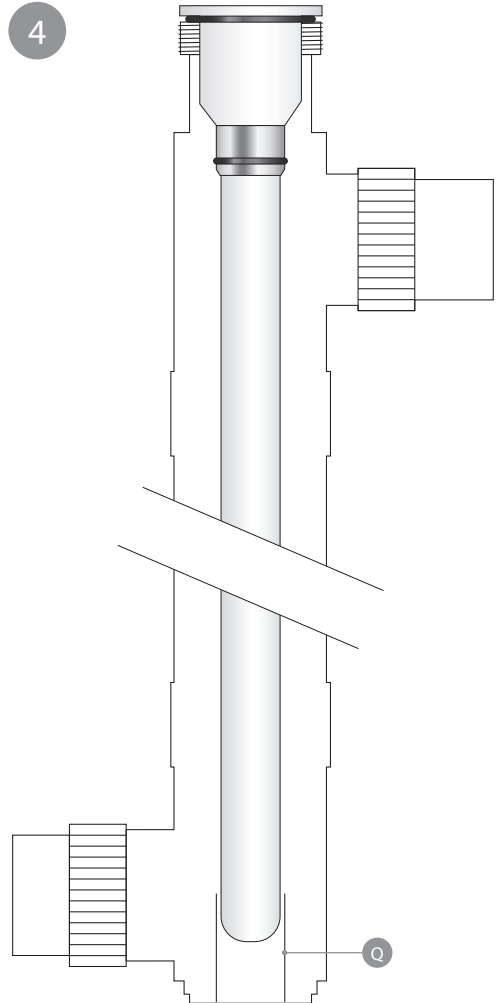
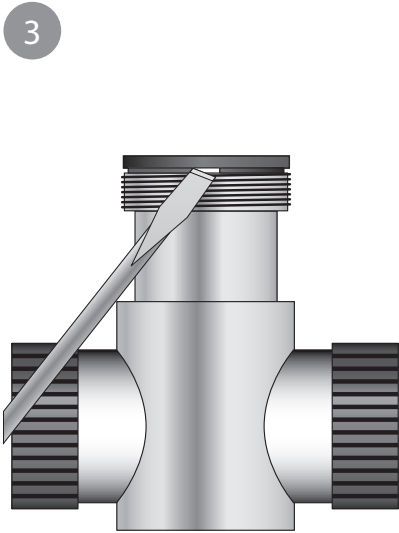


MANUAL UV-C TECH

UV-C TECH EN 6 - 8



* Flow switch. Only for Tech 130W.





Please read through these instructions for use carefully before installing this device.

EN

OPERATION

In the UV-C Tech, a UV-C radiation with a wavelength of 253.7 nm is generated by the special UV-C lamp, ensuring a lethal effect on bacteria, viruses and moulds (including Legionella bacteria and Cryptosporidium). The UV-C Tech will ensure that your pool water is clean, fresh and clear in an efficient and environmentally-friendly manner. The water is led through the UV-C device via a pump. The UV-C radiation neutralises bacteria, viruses and other microorganisms and stops them from multiplying. The UV-C Tech has a built-in electronic ballast. This ballast ensures optimum performance of the lamp. In addition, the stainless steel interior of the reactor ensures the reflection of the UV-C rays, thereby increasing the efficiency up to 35%. Thanks to the UV-C Tech, your swimming pool water will be disinfected efficiently and safely, and the quality of your water will remain excellent.

* The UV-C Tech 130 watt amalgam lamp is not affected by temperature fluctuations in the water and generates a constant, powerful radiation.

INSTALLATION OF THE EARTH (DRAWING 1)

1. Pull the cable (2) through the strain relief (4) before fitting the synthetic strain relief (4) onto the earth bolt (1). Position the strain relief (4) at approximately 10 cm from the eye (2) of the earth cable.
2. Place the eye (2) of the cable onto the earth bolt that is fitted to the housing.
3. Then place a toothed lock washer (3).
4. Fit the strain relief (4), creating a loop of Ø5 cm.
5. Finally place the second toothed lock washer (5) and the lock nut (6) onto the earth bolt.
6. Once the parts have been placed onto the earth bolt in the correct sequence, they can be tightened with a spanner or a ring spanner number 8.

INSTALLATION OF THE UV-C DEVICE (DRAWING 2)

Determine where the device will be installed. The UV-C Tech must never be installed behind the Ph regulator or the salt electrolysis system in your swimming pool installation. The ideal location to install your device is immediately behind the filter. The installation must always take place outside of the pool. Ensure that there is always water flowing through the unit when the lamp is on. Never install the unit in an area exposed to full sunlight. The installation must always take place in a dry and well-ventilated area. The device must be fitted in the vertical position, and a space of 30 cm must be available underneath to carry out maintenance. An area of approx. 1.5 m must be available at the top in order to be able to replace the lamp (K) smoothly without having to dismantle the complete device.

1. Unscrew the screw ring (N) from the housing (U). Remove the UV-C lamp (K) from the supplied case (see packaging) and carefully slide the lamp into the quartz glass (M). Carefully connect the white lamp holder (L) to the UV-C lamp (K) and then screw the screw ring (N) hand-tight onto the housing (U).

2. (*Only for amalgam) The glued socket for the flow switch (V) must be glued onto the 3-way connection (I) with the screw thread (W) pointing upwards (see Drawing 2). You can glue the glued socket (V) to the bottom 3-way connection (I). Fit the flow switch (X), which is attached to the electronic ballast (S), perpendicular to the screw thread (U) of the glued socket (V) (see Drawing 2). The device will not work if the flow switch is mounted differently. The arrow on top of the flow switch (X) must always point in the direction in which the water is flowing. The UV-C Tech will not switch on if the flow switch is pointing in the opposite direction (against the flow of the water).
3. Fit the supplied pipe clips (O) in fixed positions, press the unit into the pipe clips and tighten the 3-way connection (I). Pay hereby attention to the correct position of the sealing rings (P), both with regard to the connections and the quartz glass (see drawing 2).
4. Fit the unit into the circuit using the 3-way connection (I) and the glued socket for the flow switch (V, *only for amalgam). The inlet and outlet of the 3-way connection is \varnothing 63 mm or 2". If your pipes are smaller than 63 mm or 2", you can use the adapter \varnothing 63 x \varnothing 50 mm (T) or 2" x 1,5" x 1". You can apply glue to the 3-way connection (I) and into the glued socket for the flow switch (V, *only for amalgam). On one side of the adapter (T), there is a screw thread on the inside giving the option of fitting a reduction piece, with a sealing ring (not included in the delivery), onto it if necessary.
5. Put the plug of the UV-C device in a wall socket with a safety ground and fitted with a residual current circuit-breaker. Check whether the lamp is operating by looking through the transparent components of the unit. The unit is switched off by pulling the plug out of the socket.
6. (*Only for amalgam) The flow switch will automatically switch the device off if no water is flowing through it. You can switch the device off permanently by pulling the plug from the socket.

DISMANTLING/MAINTENANCE

Always switch off the power supply during maintenance/dismantling of the device.

The device must be cleaned twice a year. If there is an increase in algae and/or scale, the quartz glass tube (M) in which the lamp is positioned must be cleaned. The special lamp must be replaced after 9,000 operating hours. The stainless steel interior can be cleaned with a soft brush.

1. Drain the water from the device.
2. Unscrew the screw cap (N) and disconnect the lamp (K) from the lamp holder (L). Remove the lamp from the quartz glass and, if necessary, replace the special lamp (K). As these parts are very fragile, caution is essential.
3. Carefully remove the quartz glass (M) (see drawing 3). Never use force!
4. Clean the quartz glass with a suitable agent. Always use a soft cloth to clean the glass in order to prevent scratches.
5. Carefully replace the lamp in the quartz glass, put the O-ring (T) back on the quartz glass and

connect the lamp (K) to the lamp holder (L). Screw the screw cap (N) onto the housing again.

If the housing or the electrical section must be replaced then the earthing should first be disconnected from the housing.

When assembling a new housing or electrical section then please read Installation and Dismantling first. Make sure that you keep the various bits of the earthing properly. These are not supplied with a new housing or electrical section. If there is any doubt about the connection, consult a certified electrician.

TECHNICAL SPECIFICATIONS	TECH 16W	TECH 40W	TECH 75W	TECH 130W
Lamp UV-C Tech	16 Watt	40 Watt	75 Watt	130 Watt Amalgam
Swimming pool content (l)	15,000 l	40,000 l	75,000 l	130,000 l
Recommended flow	5,000 l/h	11,000 l/h	16,000 l/h	22,000 l/h
Max. pressure	2 bar	2 bar	2 bar	2 bar
Max. temperature	40°C	40°C	40°C	40°C
Min. temperature	1°C	1°C	1°C	1°C
Connection size	Ø63 mm/Ø50 mm 1½" fem. thr.	Ø63 mm/Ø50 mm 1½" fem. thr.	Ø63 mm/Ø50 mm, 1½" fem. thr.	Ø63 mm/Ø50 mm 1½" fem. thr.
Length of the device	56 cm	100 cm	100 cm	100 cm

UV-C SYSTEM TYPES

Article number: BE02162 UV-C Tech 15,000 l/16 Watt (230V; 50/60Hz)

Article number: BE02402 UV-C Tech 40,000 l/40 Watt (230V; 50/60Hz)

Article number: BE02752 UV-C Tech 75,000 l/75 Watt (230V; 50/60Hz)

Article number: BE03132 UV-C Tech 150,000 l/130 Watt (230V; 50/60Hz)

Article number: BE02162USA UV-C Tech 15,000 l/16 Watt (120V; 50/60Hz)

Article number: BE02402USA UV-C Tech 40,000 l/40 Watt (120V; 50/60Hz)

Article number: BE02752USA UV-C Tech 75,000 l/75 Watt (120V; 50/60Hz)

REPLACEMENT LAMPS

Article number: F980065 Lamp 16 Watt

Article number: F980002 Lamp 40 Watt

Article number: F980004 Lamp 75 Watt

Article number: E800904 Lamp 130 Watt

For the safety instructions and terms of guarantee we would like to refer to the general UV-C manual from VGE International B.V.